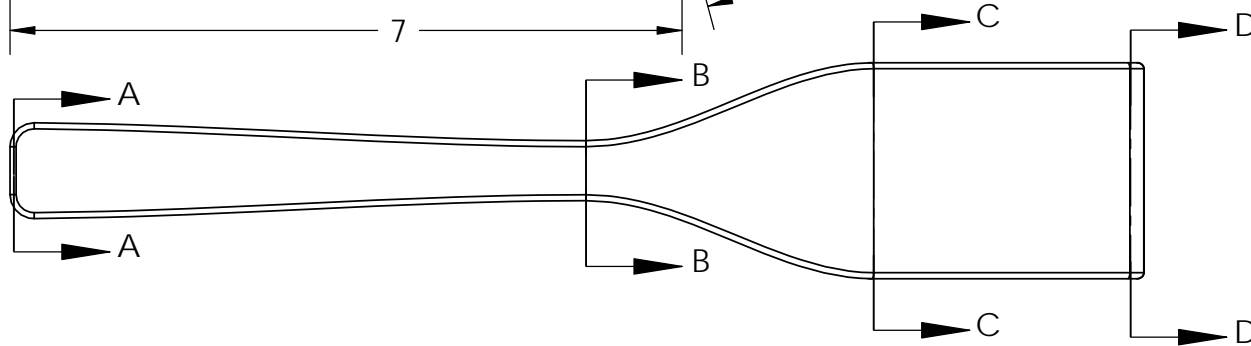
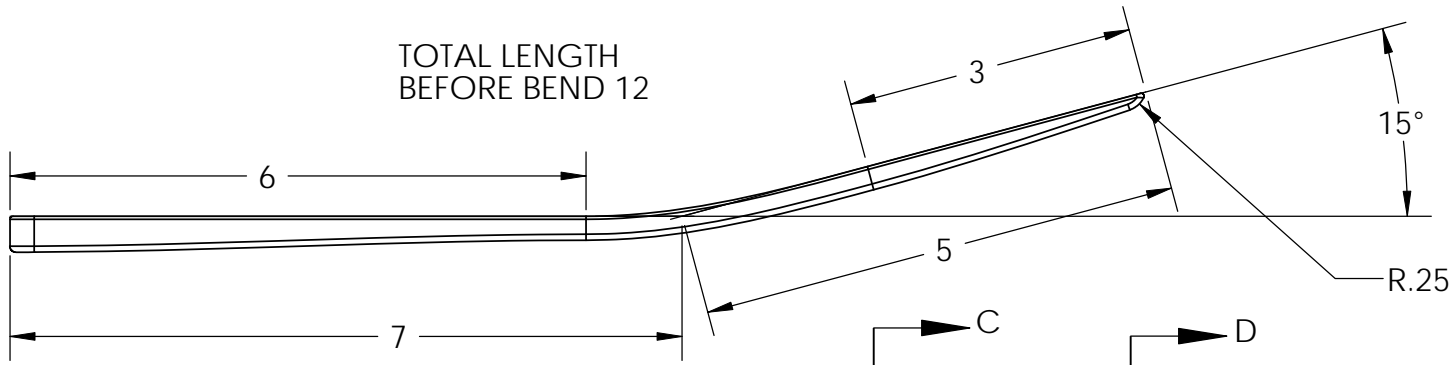
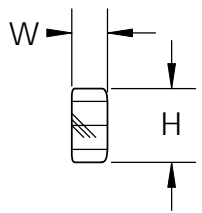


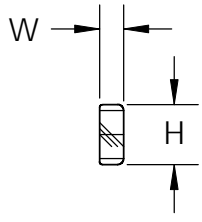
TOTAL LENGTH
BEFORE BEND 12



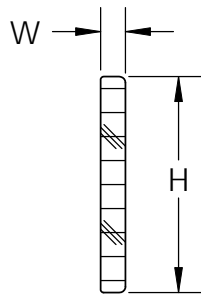
WOODEN
SPATULA



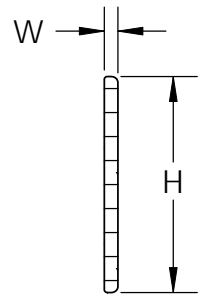
SECTION A-A



SECTION B-B



SECTION C-C



SECTION D-D

SECTION	W	H
A-A	.375	1
B-B	.25	.625
C-C	.25	2.25
D-D	.125	2.25

